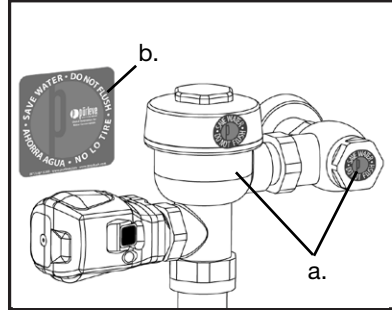
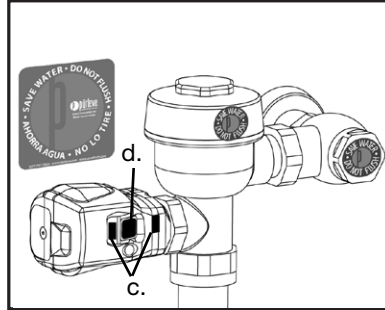


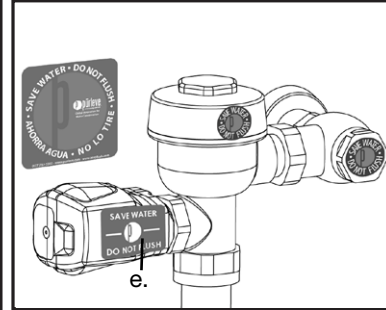
Side Mount Autoflush



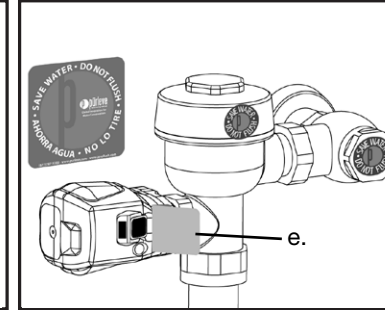
1. Place 'Save Water' decal (a) on the flush valve and the 'Do Not Flush' Sticker (b) on the wall where most visible.



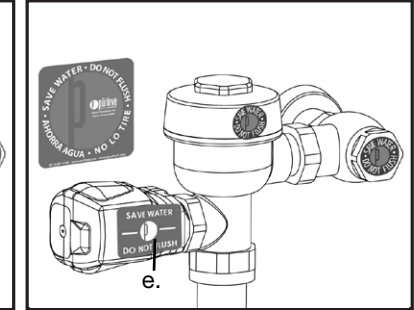
2. Place 2 Velcro strips (c) on the outside of the AutoFlush lens / infrared sensors (d).



3. Place the 'Save Water' velcro (e) on the receiving velcro (c).

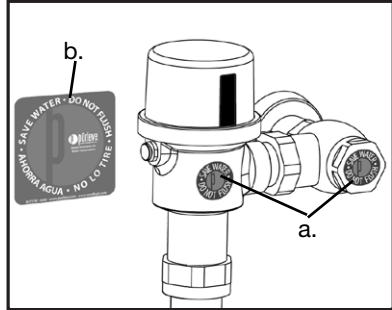


4. To FLUSH, simply remove the 'Save Water' velcro (e).

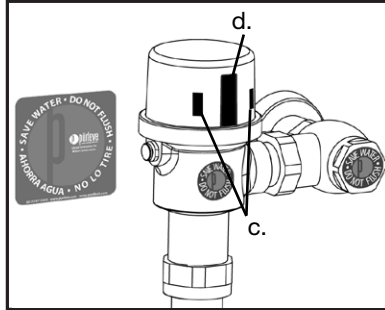


5. Place 'Save Water' velcro (e) back onto IR lens to prevent flushing.

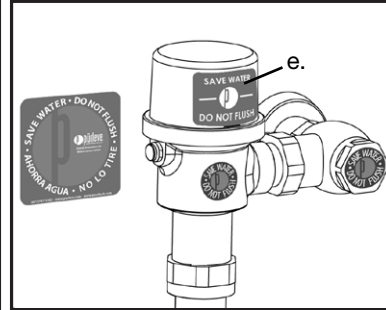
Top Mount Autoflush



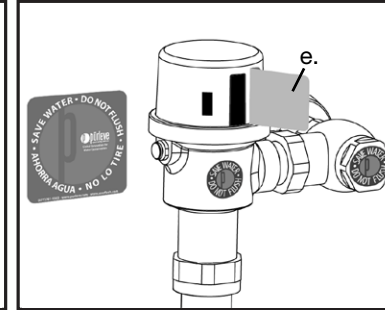
1. Place 'Save Water' decal (a) on the flush valve and the 'Do Not Flush' Sticker (b) on the wall where most visible.



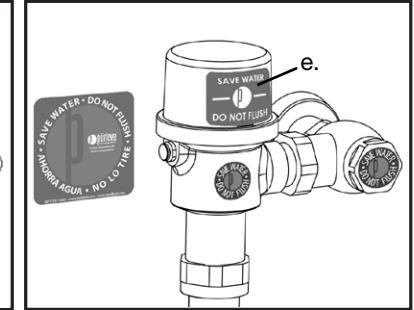
2. Place 2 Velcro strips (c) on the outside of the AutoFlush lens / infrared sensors (d).



3. Place the 'Save Water' velcro (e) on the receiving velcro (c).

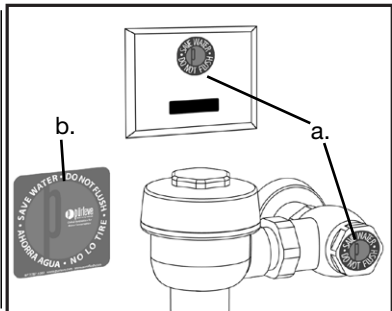


4. To FLUSH, simply remove the 'Save Water' velcro (e).

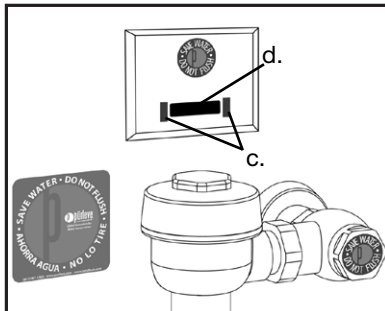


5. Place 'Save Water' velcro (e) back onto IR lens to prevent flushing.

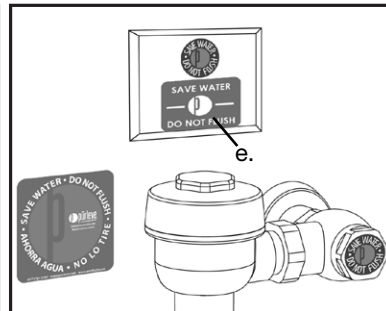
On-The-Wall Autoflush



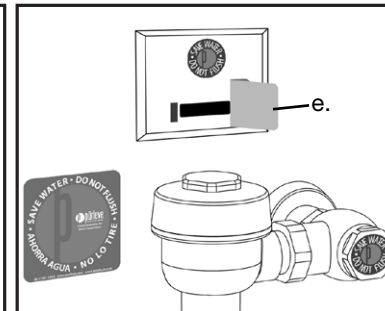
1. Place 'Save Water' decal (a) on the flush valve and the 'Do Not Flush' Sticker (b) on the wall where most visible.



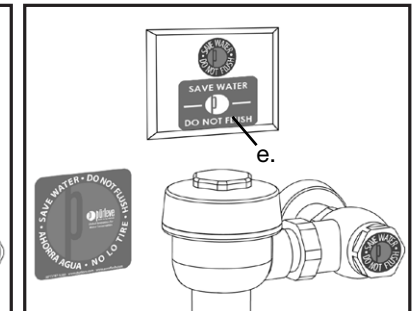
2. Place 2 Velcro strips (c) on the outside of the AutoFlush lens / infrared sensors (d).



3. Place the 'Save Water' velcro (e) on the receiving velcro (c).



4. To FLUSH, simply remove the 'Save Water' velcro (e).



5. Place 'Save Water' velcro (e) back onto IR lens to prevent flushing.