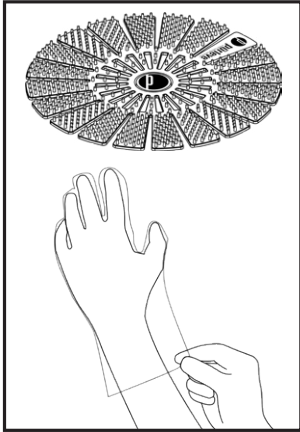
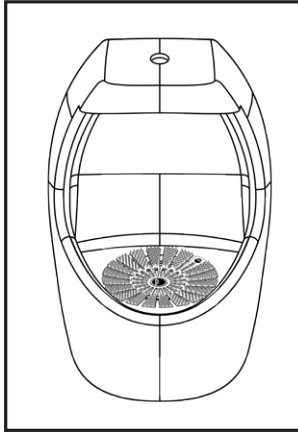


'WATER' Urinal (Pedastal or Floor Mount Styles): Purleve FLEX Screen Installation (3 Scenarios):

FLEX Screen Installation

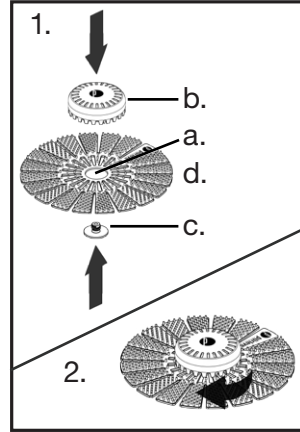


Before removal of Used Screen or New Screen Installation, please use the gloves included with the Purleve FLEX Screen.

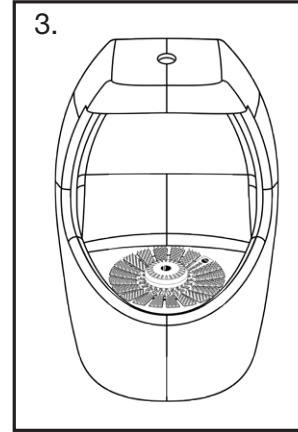


To Install the screen with no Purleve Dome Support, BioPur or Privacy dome, simply place it into any Urinal over the drain.

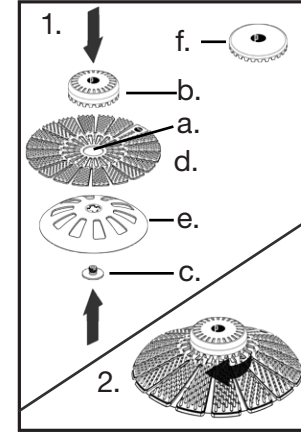
FLEX Screen with BioPur Installation (No Water above drain)



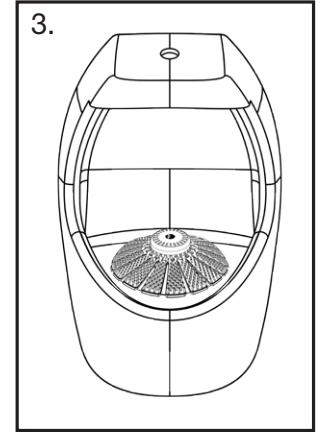
To Install the Purleve FLEX Screen with the BioPur kit: 1. Remove the small 'P' circle (a) from the Purleve FLEX Screen (d). 2. Place the Purleve FLEX Screen between the BioPur (b) and the Threaded Connector (c) and tighten clockwise on threads. 3. Place the Purleve FLEX screen into the urinal.



FLEX Screen and Dome Support with BioPur (Water Resting Above Drain)

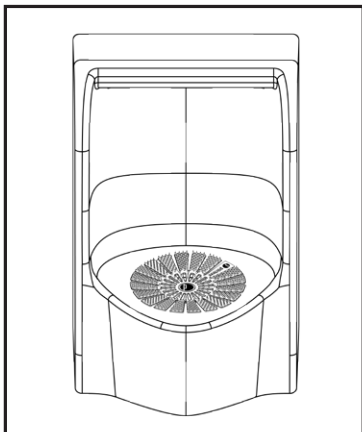


To Install the Purleve FLEX Screen with the BioPur/Dome Support: 1. Remove the small 'P' circle (a) from the Purleve FLEX Screen (d). 2. Place the Purleve FLEX Screen (d) and Dome Support (e) between the BioPur (b), and the Threaded Connector (c) and tighten clockwise. 3. Place the system in the urinal. NOTE: The Purleve Privacy Dome (f) can be used in lieu of the BioPur if space limitations.



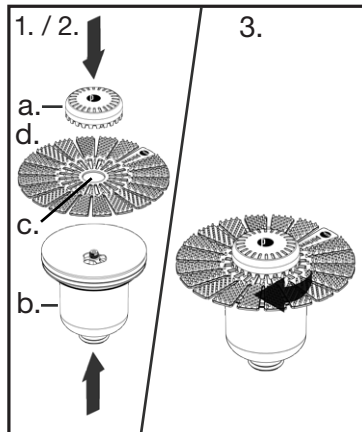
'NO WATER' Urinals: Purleve FLEX Screen Installation (3 Scenarios):

FLEX Screen Installation

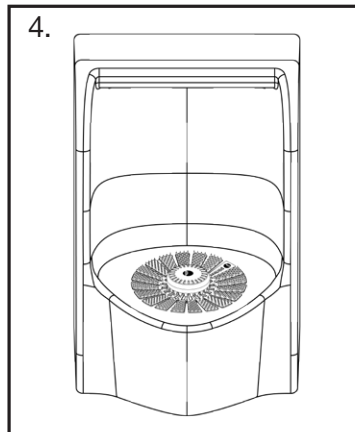


To Install the screen in a 'No Water' Urinal, simply place it over the drain area (or 'No Water' Cartridge)

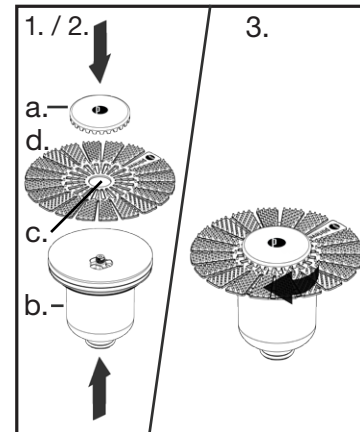
FLEX Screen w/BioPur & EnviroSeal Installation



To Install the Purleve FLEX Screen (d) with the BioPur (a) and EnviroSeal kit (b): 1. Remove the small 'P' circle (c) from the Purleve FLEX Screen (d). 2. Place the Purleve FLEX Screen (d) between the BioPur (a) and the EnviroSeal Kit (b). If Kit (b) already installed in urinal, simply place Screen (d) & BioPur (a) on Kit (b). 3. Tighten the BioPur (a) by turning clockwise (and Pushing down with some force) onto the EnviroSeal Kit (b). 4. Install Kit (b).



FLEX Screen w/Privacy Dome & EnviroSeal Installation



To Install the Purleve FLEX Screen (d) with the Privacy Dome (a) and EnviroSeal kit (b): 1. Remove the small 'P' circle (c) from the Purleve FLEX Screen (d). 2. Place the Purleve FLEX Screen (d) between the Privacy Dome (a) and the EnviroSeal Kit (b). If Kit (b) already installed in urinal, simply place Screen (d) & Privacy Dome (a) on Kit (b). 3. Tighten the Privacy Dome (a) by turning clockwise (and Pushing down with some force) onto the EnviroSeal Kit (b). 4. Install Kit (b).

