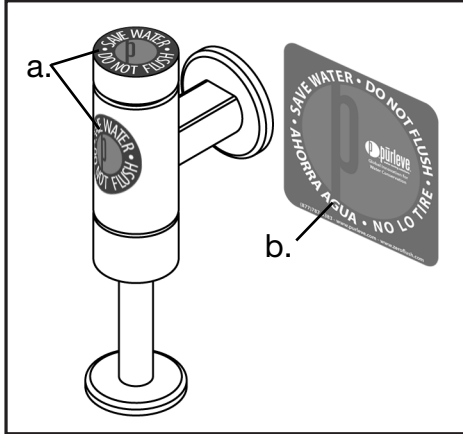
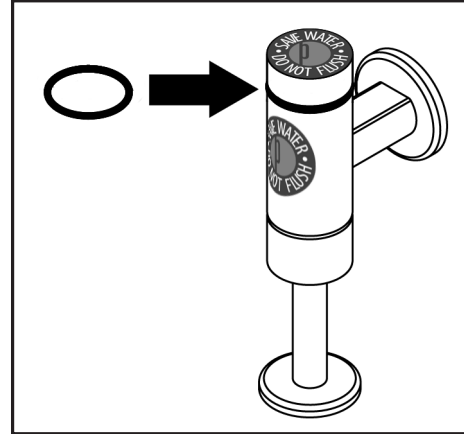


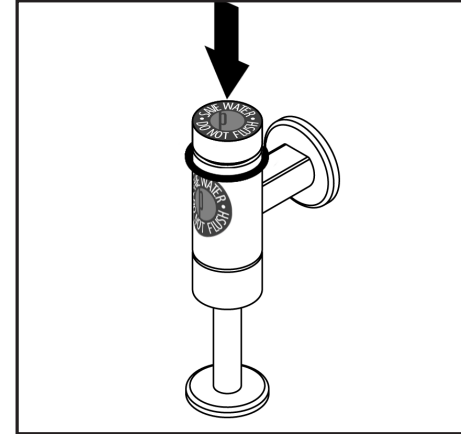
## Vertical Push Valve



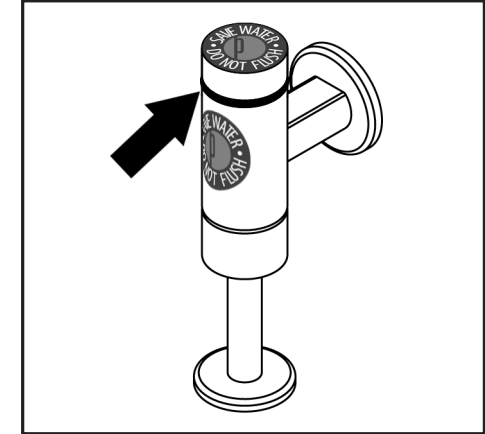
1. Place 'Save Water' circle decal (a) on the valve where visible. Place the 5"x5" 'Save Water' sticker (b) next to the valve on the wall.



2. Place the industrial grade strength Purleve O-Ring in the groove between Push Button and valve.

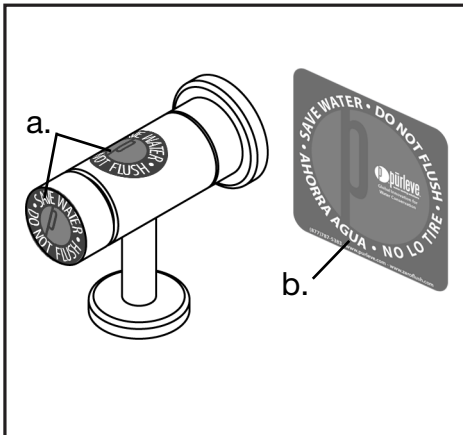


3. To flush the urinal, remove the O-ring from the groove, then push.

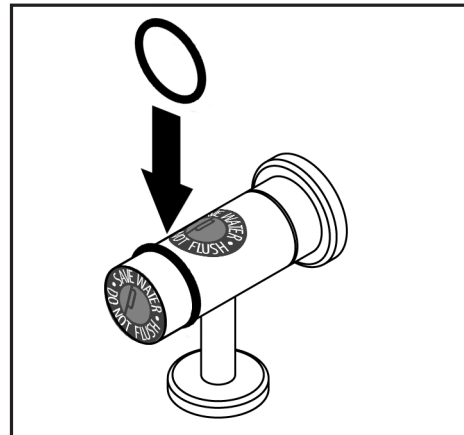


4. Place the O-ring into groove when completed.

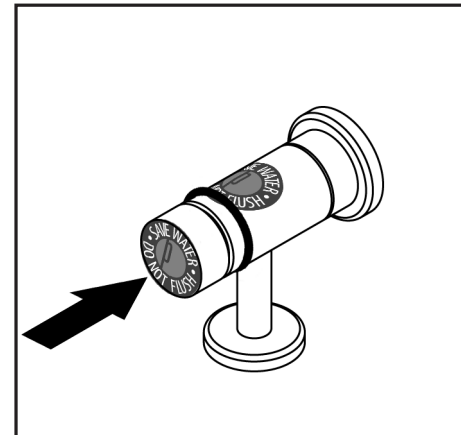
## Horizontal Push Valve



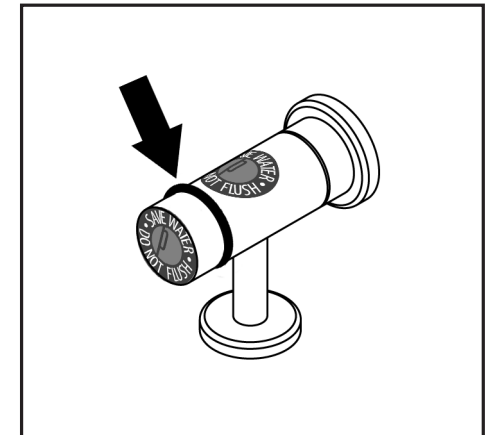
1. Place 'Save Water' circle decal (a) on the valve where visible. Place the 5"x5" 'Save Water' sticker (b) next to the valve on the wall.



2. Place the industrial grade strength Purleve O-Ring in the groove between Push Button and valve.



3. To flush the urinal, remove the O-ring from the groove, then push.



4. Place the O-ring into groove when completed.