

# Closest Flusher

Chrome-Plated Metal Casting Cover

Operates on AA Alkaline Batteries

Latching Solenoid Operator

Manual Mechanical Override Button : allows user to flush the valve during a power outage

Operating Pressure : 15 to 100 PSI

Easy Installation and Maintenance

● Patent No.: US 7,322,615 B1

Infrared Sensor :  
Accurate, stable performance, even in the sunlight or any light.  
Adjustable sensor range: 15~32 inch.

Adjustable Flush Volume  
Urinal: 0.25/0.5/1.0/1.5GPF  
Closet: 1.28/1.6/2.4GPF

Interchangeable from Closet to Urinal Valve

## Dual Flush

Light Flush(1.1 GPF) :  
if user is in detection zone for 60 seconds or less

Standard Flush(1.6 GPF) :  
if user is in detection zone for more than 60 seconds

Diaphragm Type :  
self-cleaning mechanism, prevents clogging, reduces maintenance and ensures stable flow



Solenoid Valve



Tailpiece

Sanitary Flush



Filter

Flushes after every 24 hours of non-use

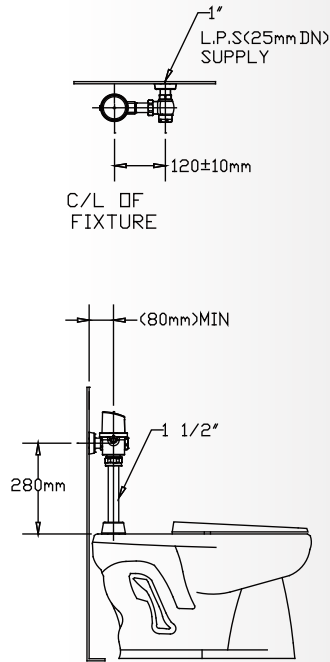
# Closet Flusher

## CF126DF

### Closet Flusher



### Electronic Closet Flusher



- Infrared Sensor for Automatic Operation
- Chrome Plated Cast Brass
- Infrared Sensor Range: Adjustable 40cm ~ 80cm
- High Back Pressure Vacuum Breaker Flush Connection With One-piece Bottom Hex Coupling Nut
- Manual Mechanical Override Button
- Battery Power: Size AA Alkaline Battery \* 4pcs
- Battery Life: 3 Years (Based on 3000 cycles per month)
- Low Battery Indicator Light (LED)
- Different Flushing Volume: 1.28 / 1.6 / 2.4 GPF (adjustable)
- Dual Flush:
  - Light Flush : 1.1 GPF
  - Standard Flush : 1.6 GPF
- 5 Second Arming Delay
- 1 Second Flush Delay
- 1" Control Stop Valve
- 1 1/2" Vacuum Breaker Tube
- 24 hour Sentinel Flush
- Operating Water Pressure : 15 to 100 PSI
- Splash-proof Construction
- Easy to Install and Maintain
- Warranty: 2 years

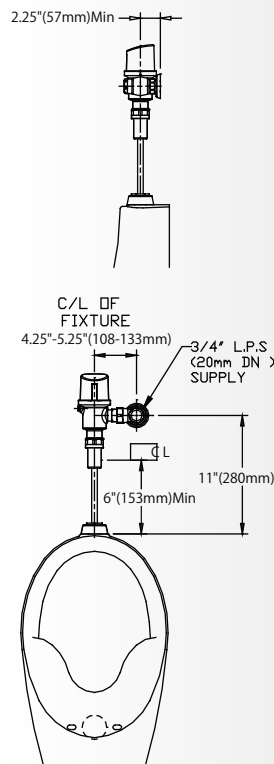


## UF526DE

### Urinal Flusher



### Electronic Urinal Flusher



- Infrared Sensor for Automatic Operation
- Chrome Plated Cast Brass
- Infrared Sensor Range: Adjustable 40cm ~ 80cm
- Manual Mechanical Override Button
- Battery Power: Size AA Alkaline Battery \* 4pcs
- Battery Life: 3 Years (Based on 3000 cycles per month)
- Different Flushing Volume: 0.25 / 0.5 / 1.0 / 1.5 GPF (adjustable)
- 3 Second Arming Delay
- 24 hour Sentinel Flush
- 3/4" Control Stop Valve
- 3/4" Vacuum Breaker Tube
- Operating Water Pressure: 15 to 100 PSI
- Splash-proof Construction
- Easy to Install and Maintain
- Warranty: 2 years

