

Electronic Faucet (Wall Mount)

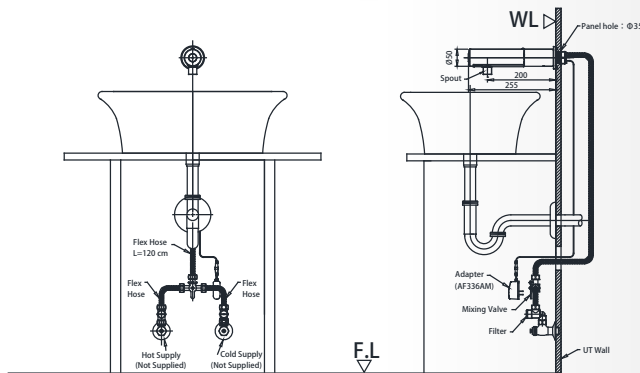
AF336M

Electronic Faucet

AF336 AM AF336 DM

Wall Mounted Electronic Faucet

All-In-One



- **AF336 AM** : Input AC110 V~AC220V 50/60 Hz. Output DC 6V
Power Consumption: 0.3W (Idle), 5W (In use)
- **AF336 DM** : Size AA Alkaline Battery * 4pcs
Battery Life : 3 Years (Based on 3000 cycles per month)
Low Battery Indicator Light (LED)

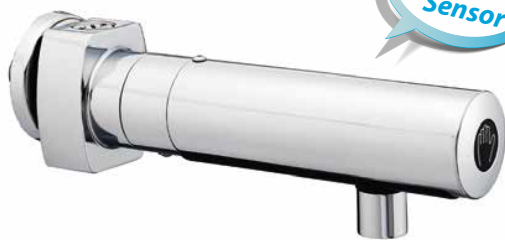
- Infrared Sensor : Automatic Operation
- All-In-One Designed
- Faucet with Below Deck Mechanical Temperature Mixing
- Waterproof, high quality and safety.
- Chrome Plated Cast Brass
- Infrared Sensor Range : 10cm (Fixed)
- Shut-off Delay Time : 1sec
- Time out Setting : 60sec
- Flowing Volume : 8.3L/min below
- Panel hole : $\Phi 35$, Panel thickness : 5~20mm
- Operating Water Pressure : 10 to 100 PSI
- Water Supply Connection : PF 1/2
- Applicable Water Temperature : 39°F~185°F (4°C ~ 85°C)
- Warranty : 2 years



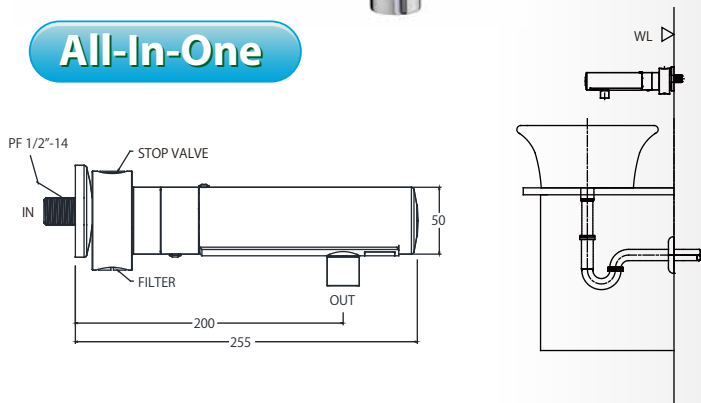
AF332

Electronic Faucet

Wall Mounted Electronic Faucet (Batteries Inside Spout)



All-In-One



- Double Infrared Sensor : Automatic Operation
- All-In-One Designed
- Stable performance, infrared sensor performs perfectly even in the sunlight or any light.
- Waterproof, high quality and safety.
- Chrome Plated Cast Brass
- Battery Power : Size AA Alkaline Battery * 4pcs
- Battery Life : 2 Years (Based on 3000 cycles per month)
- Infrared Sensor Range : Adjustable 5cm~ 20cm (auto adjusted)
- Shut-off Delay Time : 1sec
- Time out Setting : Wave Sensor(facing up): 3minutes
Sensor(facing down): 1minute
- Include Stop Valve and Filter : it filters out Particles in water hence reducing maintenance cost; easy to take out and clean
- Low Battery Indicator Light (LED)
- Operating Water Pressure : 10 to 100 PSI
- Water Supply Connection: PF 1/2
- Mounted on a Single-hole ,wall mounting
- Applicable Water Temperature: 39°F~185°F (4°C ~ 85°C)
- Warranty : 2 years

