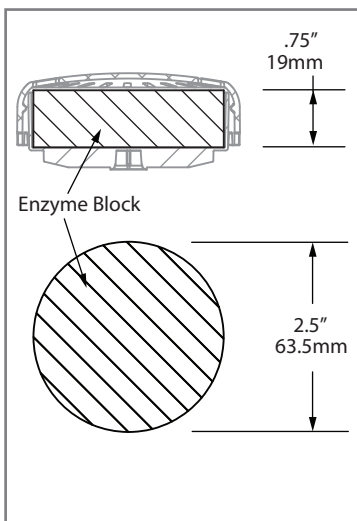


2.5"
63.5mm



Description:

The Purleve™ BioPur™ enzyme kits are composed of specially formulated bacterial cultures capable of degrading uric acid, the leading cause of odors in urinals. The enzyme blocks contain powerful biological cleaning agents, proven to maintain clear and odor free urinal traps and lines by degrading the crystalline structure of uric acid that can slow the drain system and standard traps. These enzyme blocks are designed to be safer and less damaging than the conventional pCDB chemicals used in most urinal blocks. The estimated 30-Day BioPur™ kits are cost efficient and can help save money by prolonging the use of the Purleve™ EnviroSeal™ and minimizing time for urinal cleanings. Specifically, the BioPur™ enzyme's dispense bacteria, water softening agents into the Purleve™ EnviroSeal™ System and pipelines each time the urinal is used or cleaned. The unique formula targets and cleans scaling build-ups as it deodorizes.

Characteristics:

The BioPur™ Standard kits are cost efficient and can help save money by prolonging the use of the Purleve™ EnviroSeal™ and minimizing time for urinal cleaning and maintenance.

- Enzymes and cleaning agents are dispensed with every use
- Formula helps prolong the onset of and prevent potential clogging
- Formula helps prevent plugging by targeting the debris commonly found in a urinal trap, breaking it down continuously and preventing deposits
- With regular use, the formula used will carry through the urinal trap helping to clean up muck-laden sewer pipes further downstream
- Unlike traditional pucks, this unique material will last an estimated 30 days
- Formula does not contain par-dichlorobenzene or other hazardous ingredients
- Formula does not contain bacteria or micro-organisms, so it can be used in all environments.

Applications:

The superior enzyme blocks are best used for those locations looking for a low cost, estimated 30 Day solution. These are commonly used in Washrooms for the following markets:

- | | |
|-------------------------------------|--------------------------|
| o Hotels | o Educational Facilities |
| o Restaurants | o Government |
| o Office Buildings | o Clean Rooms |
| o Food Service and Food Preparation | o Healthcare Facilities |

Technical and Safety Data:

NAME: Purleve BioPur – Long Lasting UR 76

MSDS No

BioPur UR 76 USA

Common uses: For use in urinals

Supplied by:

Xela Innovations, llc
111 West Olive Street
Glendale, WI 53212

Tel: (407) 935 – 1180 or (414) 372-3983

For More Information, See the Purleve™ Data Sheet on the Enzymatic Urinal Puck (GHS Format).

Handling & Storage Instructions:

Precautions for Safe Handling: Use in well-ventilated area away from all ignition sources. Read and understand the SDS before using this product. Avoid contact with eyes. Avoid prolonged repeated skin contact and breathing mists/vapors. Avoid ALL hand to mouth activities (drink/eat/etc.) when using this product. Do not breathe the mist/vapors. Wash thoroughly after handling.

Conditions for Safe Storage: Keep containers tightly closed when not in use. Avoid contamination with dirt or other foreign matter. Store in cool and dry area away from open flames and other sources of ignition. Keep out of direct sunlight. Make sure containers are labeled properly. Should containers be subjected to excessive heat, cool them with water spray. Product should be used at normal ambient temperatures. Do not empty waste into sanitary drains.

